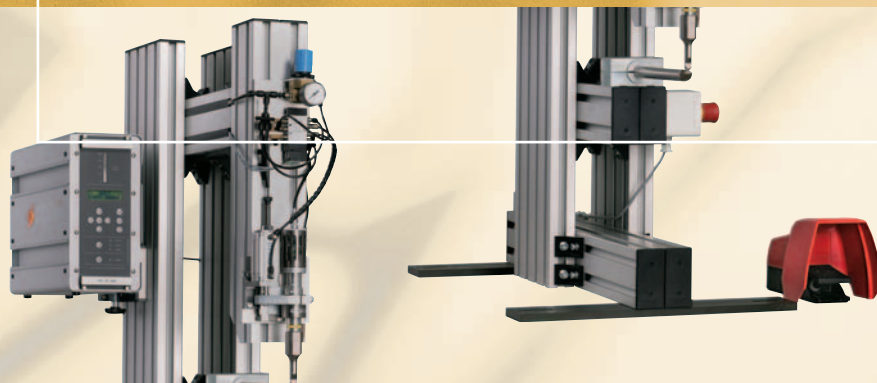




The Cutting Ones

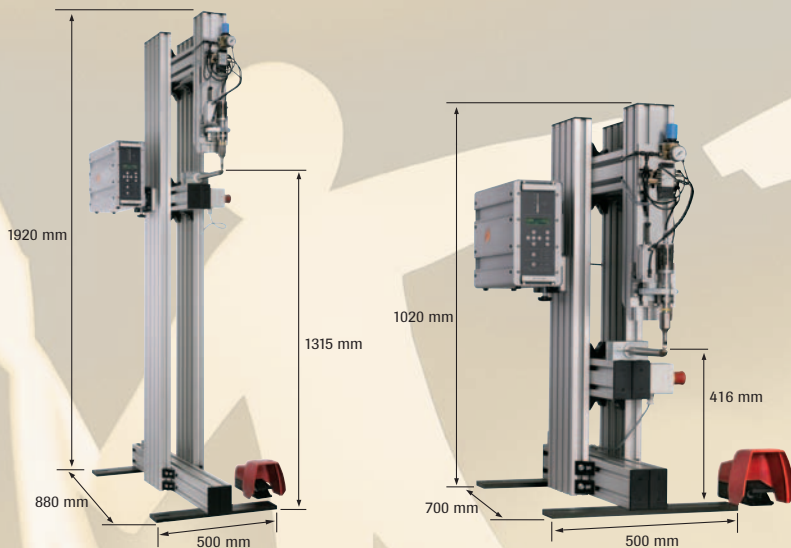


# Cutting station TYPE 3/5

**Ultrasonic cutting station 35 kHz**

The ultrasonic cutting station with integrated special actuator SV35-40 ist suitable for cutting operations of textiles and fabrics with a minimum of 50% synthetic fibre content.





- Ideal for the trimming of post-lacquered plastic parts
- Available as table or stand-alone unit
- Also suitable for the assembly into manufacturing cells
- Rugged construction

## Specification cutting station Type 3/5

Variants:	<b>Type 3</b> (stand-alone unit) <b>Type 5</b> (table unit)
Operating frequency:	<b>35 kHz</b>
Safety:	Maximum stroke: 6 mm adjusted
Actuator:	<b>SV35-40</b>
Drive type:	Pneumatic double acting cylinder $\varnothing$ 25 mm
Drive energy:	Compressed air supply: 7 bar maximum 6 bar nominal Maximum consumption at 6 bar: approx. 0.6 lt.n/stroke
Throat depth:	Variable by 650 mm
Weight:	<b>Type 3:</b> 85 kg without generator <b>Type 5:</b> 70 kg without generator
Space requirements:	<b>Type 3:</b> Ground space 500x880 mm, height 1920 mm <b>Type 5:</b> Workbench 500x700 mm, height 1020 mm
Generator:	<b>SL35-400/600</b>
Options:	In case of continuous operation the compressed air is permanently used for air cooling as well.

Additional technical information available on request.



**RINCO ULTRASONICS AG**  
 CH-8590 Romanshorn 1  
 Tel. +41 71 466 41 00  
 Fax +41 71 466 41 01  
 info@rincoultrasonics.com  
 www.rincoultrasonics.com