



The Handy Ones



HG

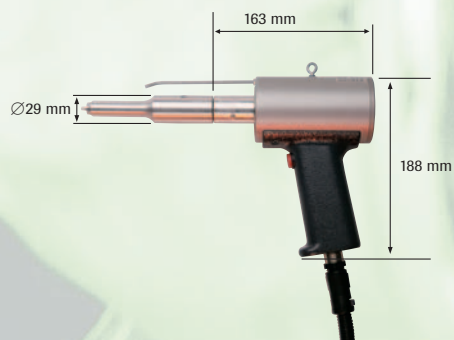
20-1

Ultrasonic hand welding unit 20 kHz

The ultrasonic hand welding unit HG20-1 is suitable for large manual welding operations.



- Ideal for spot welding, riveting or beading
- Rugged construction for optimal sound propagation
- Very high performance
- Protected cable duct



Specification HG20-1

Operating frequency:	20 kHz
Switches:	On the hand grip
Weight:	1.8 kg including transducer
Horns:	Customized
Amplitude amplification:	Through integrated transducer (amplified 1:1.5)
Cable set:	3 m standard with integrated inner tube Special lengths 7 m/11 m/15 m on request
Generator:	Suitable types: RL20 -100, SL20 -600/1000
Options:	Pressurized air cooling for converter and horn retrofit

Additional technical information available on request.



RINCO ULTRASONICS AG
 CH-8590 Romanshorn 1
 Tel. +41 71 466 41 00
 Fax +41 71 466 41 01
 info@rincoultrasonics.com
 www.rincoultrasonics.com